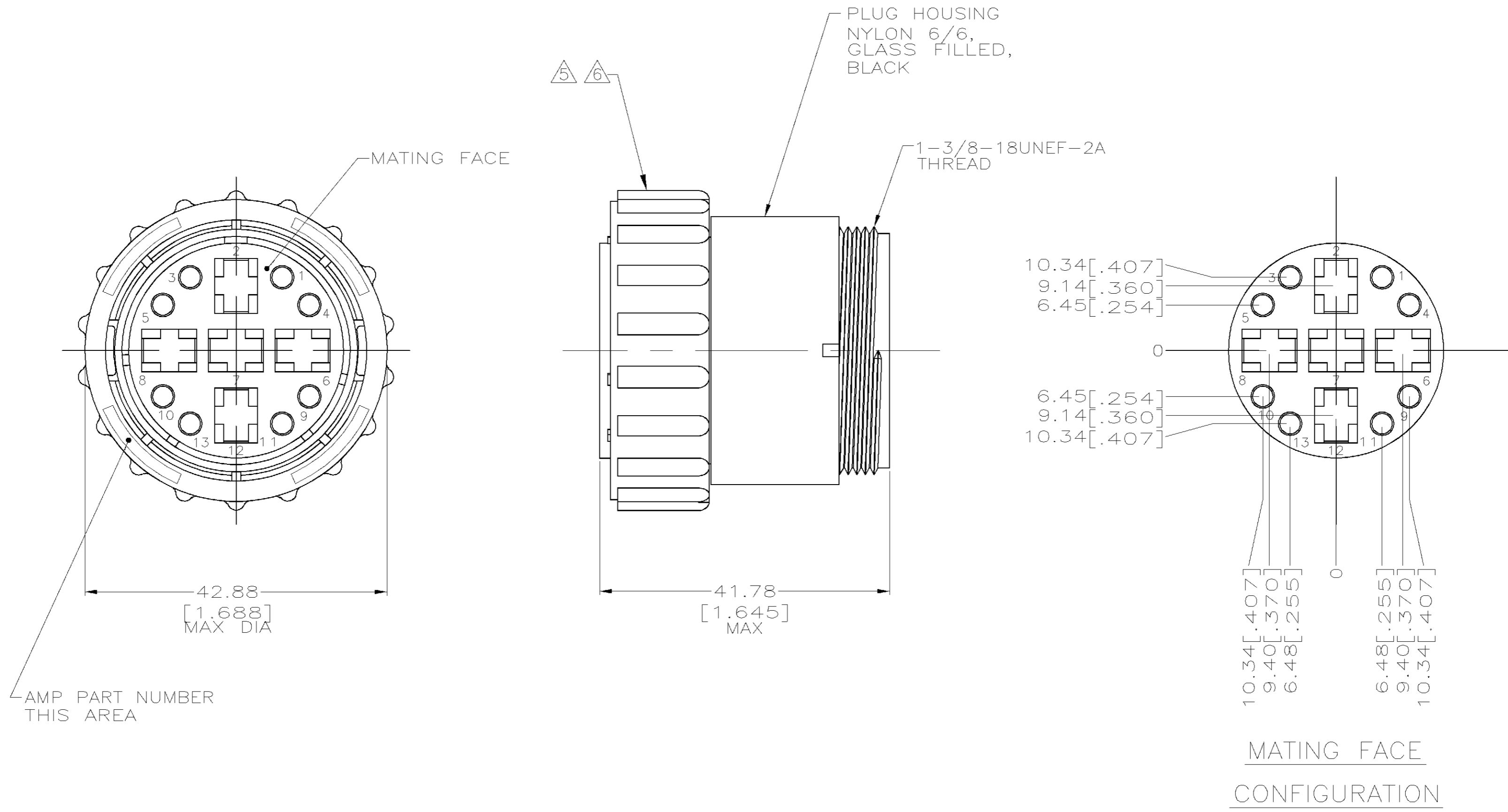


THIS DRAWING IS UNPUBLISHED. RELEASED FOR PUBLICATION
 © COPYRIGHT BY TYCO ELECTRONICS CORPORATION. ALL RIGHTS RESERVED.

LOC	DIST	REVISIONS			
P	LTR	DESCRIPTION	DATE	DWN	APVD
D		REVISED PER 0G3B-0293-02	5/22/02	SS	SH



NOTES:

- WILL ACCEPT (8) MULTIMATE SOCKETS AND (5) TYPE XII FEMALE CONTACTS.
- MAX WIRE INSULATION DIAMETERS:
 MULTIMATE 3.43 [.135] MAX DIA.
 TYPE XII 5.59 [.220] MAX DIA.
- CONTACT CAVITIES IDENTIFIED BY CHARACTERS ON FRONT AND REAR FACES OF CONNECTOR.
- THIS PLUG ASSEMBLY MATES WITH RECEPTACLE 211825-1.

- ⚠ COUPLING RING: POLYESTER, BLACK
- ⚠ COUPLING RING: NORYL, BLACK

⚠	211824-2
⚠	211824-1
PART NUMBER	

THIS DRAWING IS A CONTROLLED DOCUMENT.		DWN K.FOLTZ 04/04/95	Tyco Electronics Corporation Harrisburg, PA 17105
DIMENSIONS: INCHES		CHK R.STONE 04/05/95	
TOLERANCES UNLESS OTHERWISE SPECIFIED:		APVD A.FRANTUM 04/06/95	NAME PLUG ASSEMBLY, STANDARD SEX, SERIES IV, 23-13, CPC
0 PLC ± - 1 PLC ± - 2 PLC ± 0.13 [.005] 3 PLC ± - 4 PLC ± - ANGLES ± -		PRODUCT SPEC -	SIZE A2
MATERIAL SEE CALLOUT		FINISH -	CAGE CODE 00779
		WEIGHT -	DRAWING NO C=211824
		CUSTOMER DRAWING	RESTRICTED TO -
		SCALE 2:1	SHEET 1 OF 1
			REV D